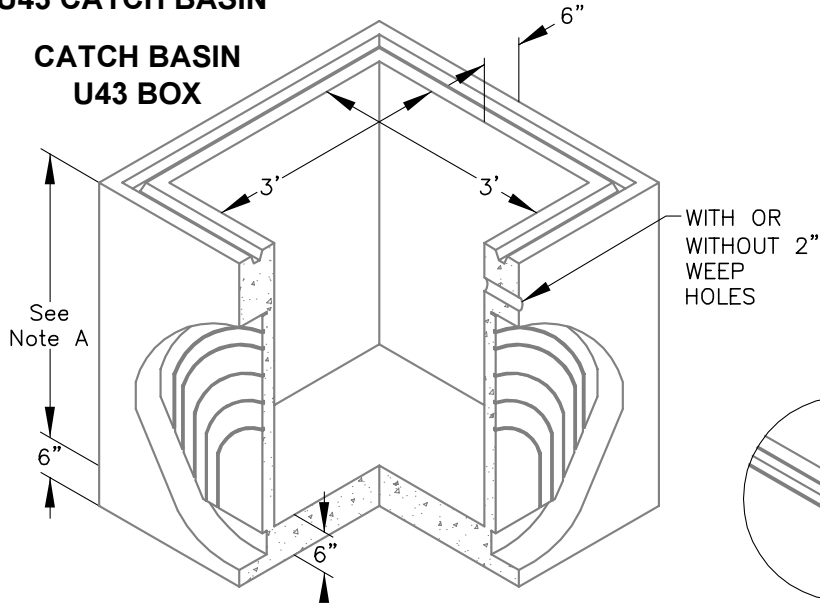


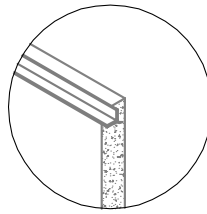
**U43 CATCH BASIN**

**CATCH BASIN  
U43 BOX**

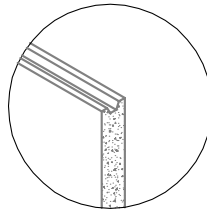


See Note A

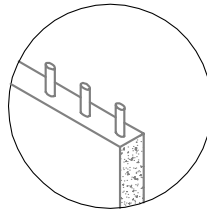
WITH OR WITHOUT 2" WEEP HOLES



Cast-in galvanized frame for grates 1½" x 1½" angle iron with anchor bolts



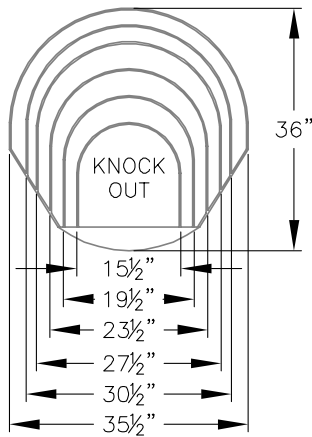
Grooved to receive tongue of grade rings, curb inlets, etc.



6" exposed rebar to allow job site pouring of special curb shapes at grade level, etc.

Note A: height is per job specification.

- Knock-Outs available in grade rings and catch basins.
- Opening, locations, and sizes to job specifications.
- With or without bottom.
- Progressive webbed knock-outs provide maximum flexibility, permitting pipe of any size to be neatly and quickly grouted in at jobsite.
- Standard grade rings available in 6" increments up to 4' high.
- All reinforcing steel meets ASTM specifications as required



**Oldcastle Precast®**  
Enclosure Solutions  
MADERA/TRACY/ROSEVILLE/PHOENIX  
Phone: (800) 486-7070 Fax: (800) 486-6804  
Copyright © 2008 Oldcastle Precast Inc.

**U43 CATCH BASIN**

FILE NAME: 036CDBU43\_ISO

ISSUE DATE: January, 2008

[www.oldcastleprecast.com](http://www.oldcastleprecast.com)

**U43 CATCH BASIN  
3' x 3' w/ 6" WALLS**

